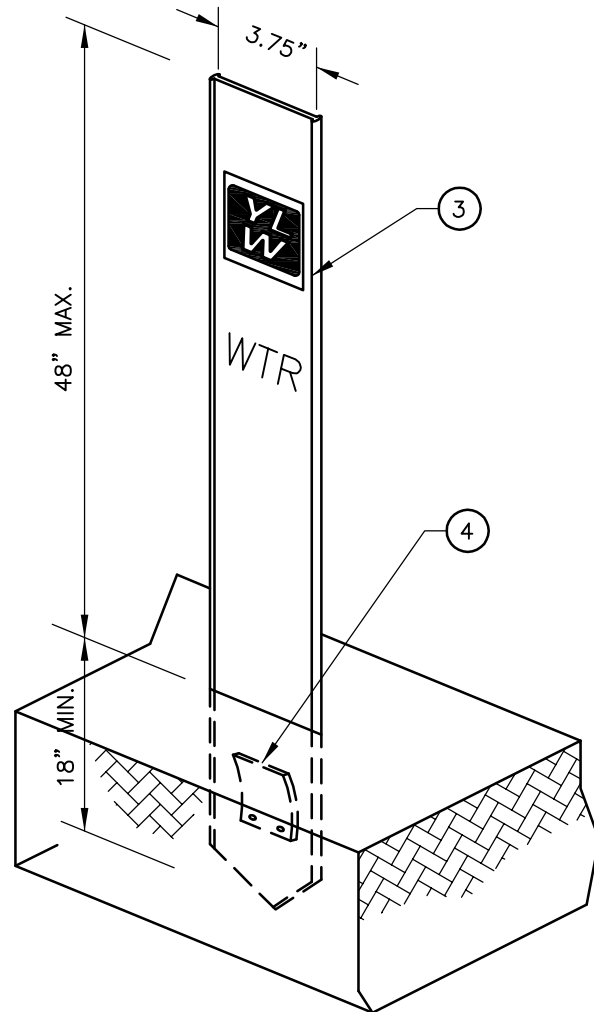
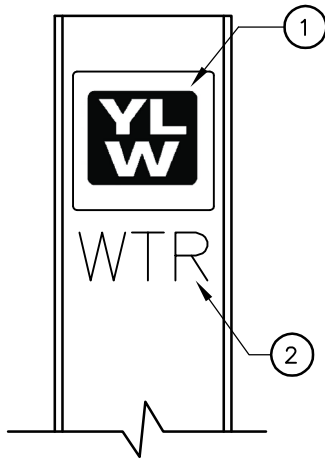


**GENERAL STANDARD DRAWINGS  
TABLE OF CONTENTS**

<b><u>DRAWING NO.</u></b>	<b><u>DESCRIPTION</u></b>	<b><u>DATE</u></b>
G-1	UTILITY MARKER	7/2016
G-2	24" X 36" YLWD TITLE SHEET	4/2019
G-3	24" X 36" YLWD PLAN SHEET	4/2019
G-4	STANDARD PROJECT SIGN	8/2021
G-5	STANDARD SYMBOLS	2/2020



ABBREVIATIONS

ABD	ANODE BED / ANODE WELL
AVR	AIR AND VACUUM RELEASE VALVE
CBL	DIRECT BURIED CABLE
CTS	CATHODIC PROTECTION TEST STATION
EPB	ELECTRICAL PULL BOX
FO	FLUSH-OUT
IJ	INSULATING JOINT
MH	MANHOLE
MTR	METER
PRV	PRESSURE REGULATING VALVE
PZ	PIEZOMETER
SBX	SHUNT BOX
SWO	SEWER CLEAN OUT
SWR	SEWER MAIN
TPB	TELEMETRY PULL BOX
TW	TEST WELL
VLT	VAULT
VLV	VALVE
WTR	WATER MAIN
WQS	WATER QUALITY SAMPLE STATION

ITEM                      MATERIALS

- ① — YLWD LOGO DECAL 3.25" HIGH X 2.75" WIDE WITH CLEAR BACKGROUND.
- ② — 2 OR 3 CHARACTER FACILITY LABEL WITH 1" HIGH LETTERS ON A CLEAR SELF ADHESIVE DECAL (USE ABBREVIATIONS HEREON).
- ③ — POST SHALL BE MODEL: CARSONITE COMPOSITES, CIB-380, CHRISTY'S SUPERFLEX OR APPROVE EQUAL. MATERIAL: COLORED FIBERGLASS COMPOSITE WIDTH: 3.75 INCHES MINIMUM COLOR: WHITE, BLUE, GREEN, OR RED. SEE STD. SPEC. SECTION 15151.
- ④ — STAINLESS STEEL BARB ANCHOR AND SCREWS.

APPROVED BY  
ENGINEERING  
MANAGER

DATE  
7/2016



YORBA LINDA WATER DISTRICT

UTILITY MARKER

STD. DWG.

G-1

SHEET 1 OF 1



PROFILE VIEW

Blank area for profile view drawing.

PLAN VIEW

Blank area for plan view drawing.

CONSTRUCTION NOTES

Blank area for construction notes.

DIG ALERT:

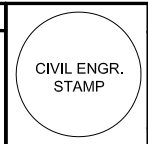
Blank area for dig alert information.

REV	DESCRIPTION	ENGR	DATE	APPD	DATE

SCALE:  
DATE:  
FILENAME:  
DESIGNED BY:  
DRAWN BY:  
CHECKED BY:

PREPARED FOR:  
  
DEVELOPER/OWNER  
ADDRESS

CIVIL ENGINEER  
  
CIVIL ENGINEERING CO.  
ADDRESS  
PHONE NUMBER



PREPARED UNDER THE SUPERVISION OF:  
  
CIVIL ENGINEER      DATE  
PE NO. :      EXP. DATE:

YORBA LINDA WATER DISTRICT  
  
WATER AND / OR SEWER IMPROVEMENT PLANS  
FOR  
" DEVELOPER OR PROJECT NAME "  
PROJECT ADDRESS

PROJECT NO.  
  
SHT. NO. \_\_\_ OF \_\_\_

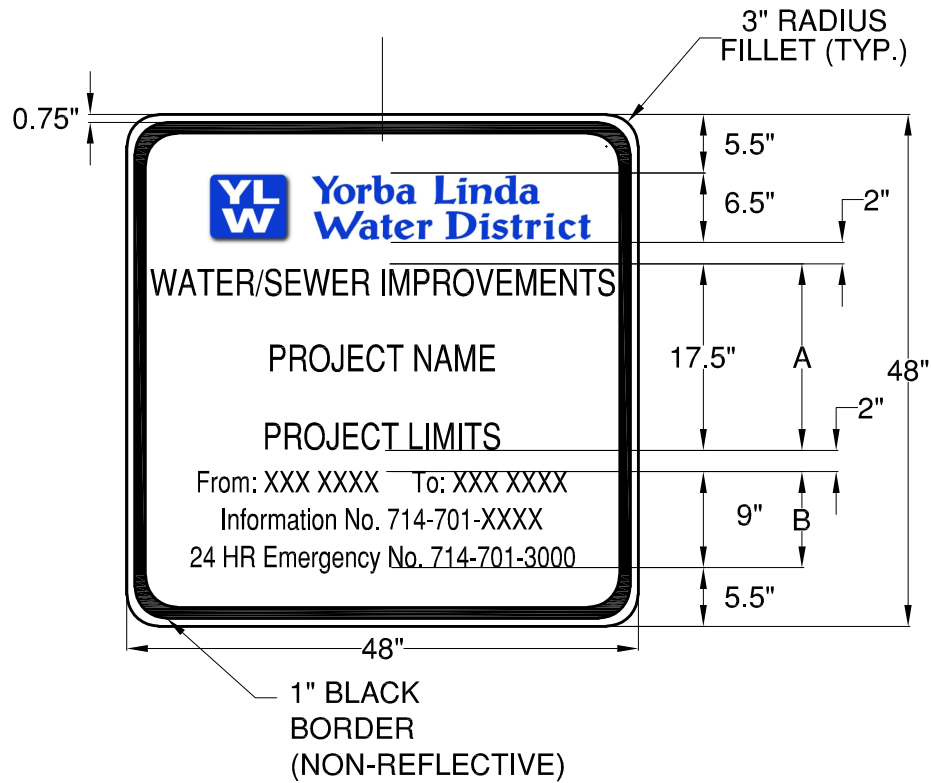
NOTE: TEMPLATE ONLY. ADJUST OR MODIFY SECTION BLOCK AS NEEDED.

APPROVED BY  
ENGINEERING  
MANAGER  
  
DATE:  
7/2016



YORBA LINDA WATER DISTRICT  
  
24" X 36" YLWD PLAN SHEET

STD. DWG.  
**G-3**  
SHEET 1 OF 1




**NOTES:**

1. PROJECT SIGNS SHALL BE POSTED FOR ALL CAPITAL IMPROVEMENT PROJECTS.
2. BASE MATERIAL OF SIGN SHALL BE PLYWOOD (1/2" THICK) OR METAL.
3. OVERALL SIGN DIMENSIONS SHALL BE 4 FEET BY 4 FEET.
4. SIGN SHALL BE SECURELY ANCHORED DOWN. CONTRACTOR SHALL SUBMIT FOR REVIEW AND APPROVAL BY THE ENGINEER.
5. BOTTOM OF SIGN SHALL BE RAISED 4 FEET ABOVE THE ADJACENT GRADE.
6. LETTERING OF SIGN SHALL BE CALTRANS HIGHWAY C EXCEPT WHERE NOTED OTHERWISE. LETTER SIZE AND SPACING AS FOLLOWS:  
 A: LETTERS 3.0" HIGH, 2.0" BETWEEN LINES  
 B: LETTERS 2.0" HIGH, 1.5" BETWEEN LINES
7. BACKGROUND COLOR SHALL BE NON REFLECTIVE WHITE.
8. SIGN MESSAGE SHALL BE CENTERED.
9. YLWD SHALL PROVIDE THE CONTRACTOR WITH PROJECT SPECIFIC NAME, LIMITS, INFORMATION PHONE NUMBER AND PROJECT START AND FINISH DATES.
10. PRIOR TO FABRICATION, THE CONTRACTOR SHALL SUBMIT A PROOF BY THE SIGN FABRICATOR WITH PROJECT SPECIFIC INFORMATION FOR REVIEW AND APPROVAL.

APPROVED BY ENGINEERING MANAGER		YORBA LINDA WATER DISTRICT	STD. DWG.
DATE: 8/2021		STANDARD PROJECT SIGN	G-4
SCALE: NTS			SHEET 1 OF 1

# STANDARD SYMBOLS

-----C-----	C	CENTERLINE
=====W=====	W	PROPOSED WATER LINE – SIZE AS INDICATED
-----W-----	W	EXISTING WATER LINE – SIZE AS INDICATED
=====RW=====	RW	PROPOSED RECYCLED WATER LINE – SIZE AS INDICATED
-----RW-----	RW	EXISTING RECYCLED WATER LINE – SIZE AS INDICATED
=====S=====	S	PROPOSED SEWER LINE – SIZE AS INDICATED
-----S-----	S	EXISTING SEWER LINE – SIZE AS INDICATED
-----FM-----	FM	EXISTING SEWER FORCE MAIN – SIZE AS INDICATED
=====SD=====	SD	EXISTING STORM DRAIN – SIZE AS INDICATED
=====		PROPOSED PIPE ENCASEMENT – TYPE AS INDICATED
=====		PROPOSED JACKING INSTALLATION – TYPE AS INDICATED
=====		EXISTING PIPE ENCASEMENT – TYPE AS INDICATED
-----E-----	E	EXISTING POWER CABLE
-----T-----	T	EXISTING TELEPHONE CONDUIT
-----TV-----	TV	EXISTING UNDERGROUND T.V. CABLE
-----G-----	G	EXISTING GAS LINE – SIZE AS INDICATED
-----HPG-----	HPG	EXISTING HIGH PRESSURE GAS LINE – SIZE AS INDICATED
-----		EXISTING RIGHT-OF-WAY LINE
=====		EXISTING CONCRETE CURB
-----		EXISTING EDGE OF PAVEMENT (E.P.)
=====	⊗	PROPOSED WATER VALVE
-----	⊗	EXISTING WATER VALVE
=====	⚡	PROPOSED CHECK VALVE
-----	FH	PROPOSED FIRE HYDRANT (F.H.)
-----	FH	EXISTING FIRE HYDRANT (F.H.)
-----	□	PROPOSED WATER SERVICE RECONNECTION
-----	□	EXISTING WATER METER (W.M.) – SINGLE
-----	□	EXISTING WATER METER (W.M.) – DOUBLE
=====	●	PROPOSED AIR RELEASE AND VACUUM RELIEF VALVE
-----	○	EXISTING AIR RELEASE AND VACUUM RELIEF VALVE
=====	■	PROPOSED BLOWOFF ASSEMBLY
-----	□	EXISTING BLOWOFF ASSEMBLY
-----	○	PROPOSED CATHODIC PROTECTION TEST STATION
-----	○	EXISTING CATHODIC PROTECTION TEST STATION
=====	□	EXISTING CATCH BASIN (C.B.)
=====	○	PROPOSED MANHOLE (M.H.)
-----	○	EXISTING MANHOLE (M.H.)

APPROVED BY ENGINEERING MANAGER		YORBA LINDA WATER DISTRICT	STD. DWG.
DATE: 2/2020		STANDARD SYMBOLS	G-5
SCALE: NTS			SHEET 1 OF 1